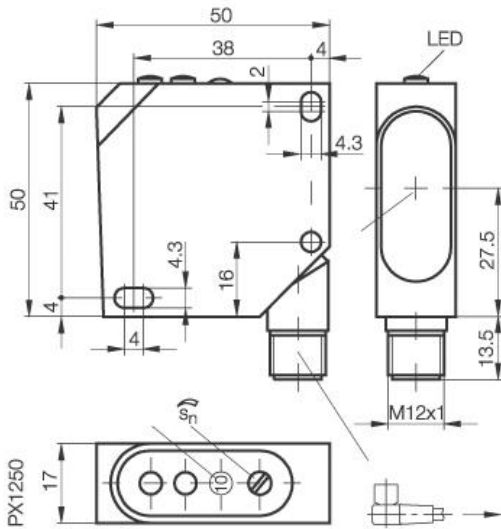


# Photoelectric Sensor BOS 26K-PA-LQP-S4-C Sn=20000mm Retroreflective



## Common Data

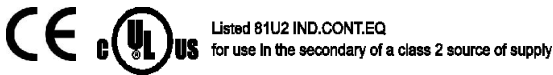
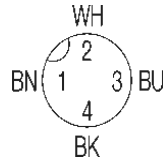
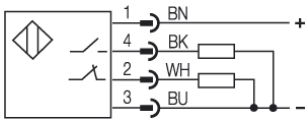
Series	26K
Sensortype	Retroreflective
Switching frequency	2500 Hz
Rated operating distance Sn in mm	20000
asured operating distance Sa	adjustable
Indication Supply Voltage	yes, green LED
Indication Switching element on	yes, yellow LED
Indication Special funktion	Contamination indicator, red LED
Ambient temperature	-20...+45°C
Light	Laser, red
Wavelength / Laser protection class	660nm, Schutzklasse 1
Sensitivity Adjustment	2 turn Poti
Special funktion	Polfilter
Permissible ambient light	acc. EN 60947-5-2
Output funktion	light-on or dark-on

## Mechanical Data

Measurements	50x50x17
Housing material	ABS UL 94 V-O
Degree of protection	IP67
Connection	Connector S4 (M12)
Connection turnable	Connector 90° turnable
Weigth	approx. 40g
Recommended connector	BKS-S20-8

## Electrical Data

Current	DC
Switching funktion	NO/NC
Output	PNP
Rated operational voltage Ue	24V
Rated operational current Ie	200mA
Supply Voltage	10...30V DC
Ripple	< 10% from UB
Frequency of Supply Voltage	DC
No-load supply current	<40mA
Voltage drop	<2,4V
Short protection	yes
Protected against polarity reversal	yes



Utilization categories  
Insulation class

Datasheet number:

Definitions see general catalog.  
If not otherwise noted, ratings according to  
IEC 60947-5-2 (DIN EN60947-5-2)

Balluff GmbH  
Schurwaldstrasse 9  
73765 Neuhausen a.d.F.  
Phone (07158) 173-0 Fax (07158) 5010

Datenblatt by CD-ROM - 04/2007

**BALLUFF**  
sensors worldwide